

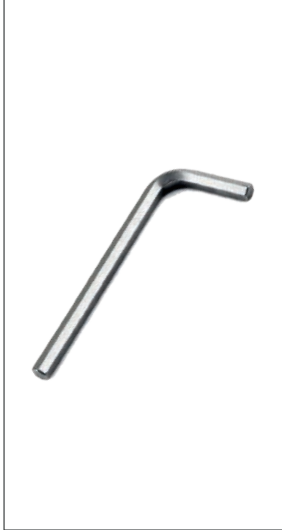
A close-up photograph of a person's hands working on a dark, textured surface, likely a piece of machinery or a mold. The person is using a pair of manual hand tools, possibly pliers or shears, to manipulate a small component. The background is dark and out of focus, showing a green-handled screwdriver and a yellow measuring tool. The overall scene is well-lit, highlighting the texture of the surface and the precision of the work.

**MANUEL  
EL ALETLERİ**  
MANUAL  
HAND TOOLS

# ALLEN ANAHTARLARI

ALLEN KEYS

INBUSSCHLÜSSELE



ÖLÇÜLERİ DIMENSIONS MASSE	1,5 MM	2 MM	2,5 MM	3 MM	4 MM	5 MM	6 MM	8 MM
MALZEME MATERIAL MATERIAL	Otomat Çeliği Cutting Steel Schneiden Von Stahl							
KULLANIM USAGE NUTZUNGSZWECK	Altıgen profili olan ve içeri gömük vidaları, imbus başlı civataları sökmeye yarayan anahtar çeşididir. It is a type of wrench that has a hexagonal profile and is used to remove recessed screws and imbus head bolts. Es handelt sich um eine Art Schraubenschlüssel mit Sechskantprofil, der zum Entfernen von Kreuzschlitzschrauben und Imbuskopfschrauben verwendet wird.							

# BİTS UÇLAR

BITS INSERTS

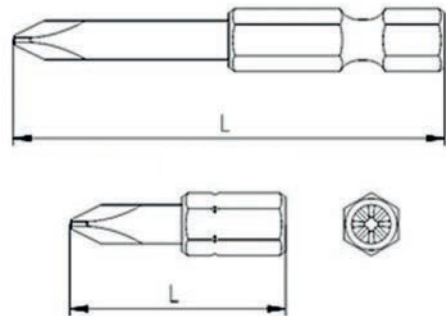
BITS-EINSÄTZE

ÖLÇÜLERİ DIMENSIONS MASSE	25mm	50mm	75mm	100mm	150mm	T 30X50	T 30X75	T 30X100
ÇEŞİTLERİ TYPES TYPEN	PZ, PH	PZ, PH	PZ, PH	PZ, PH	PZ, PH	TORX	TORX	TORX
MALZEME MATERIAL MATERIAL	Crv Manyetik Crv Magnetic Crv Magnetisch	Crv Manyetik Crv Magnetic Crv Magnetisch	Crv Manyetik Crv Magnetic Crv Magnetisch	Crv Manyetik Crv Magnetic Crv Magnetisch	Crv Manyetik Crv Magnetic Crv Magnetisch	Crv Manyetik Crv Magnetic Crv Magnetisch	Crv Manyetik Crv Magnetic Crv Magnetisch	Crv Manyetik Crv Magnetic Crv Magnetisch
YÜZEY AUFTAUCHEN SURFACE	Kumlanmış Blasted Gesprengt	Kumlanmış Blasted Gesprengt	Kumlanmış Blasted Gesprengt	Kumlanmış Blasted Gesprengt	Kumlanmış Blasted Gesprengt	Kumlanmış Blasted Gesprengt	Kumlanmış Blasted Gesprengt	Kumlanmış Blasted Gesprengt

TEKNİK ÖLÇÜLERİ

TECHNICAL DIMENSIONS

TECHNISCHE ABMESSUNGEN



Değerler milimetre olarak verilmiştir.


Values are given in millimeters.

Werte sind in millimetern angegeben.

# MAKET BIÇAKLARI

UTILITY KNIFES


MODELL MESSERE

ÜRÜN TANIMI PRODUCT DESCRIPTION PRODUKTBESCHREIBUNG	Plastik maket bıçağı Utility knife plastic body Gebrauchsmesser aus kunststoff	Metal maket bıçağı Utility knife metal body Gebrauchsmesser aus metall
MALZEME MATERIAL MATERIAL	Plastik Plastic Kunststoff	Alüminyum Aluminum Aluminium
RENK COLOUR FARBE	Mavi Blue Blau	Gümüş Gri Silver Grey Silber Grau
BIÇAK BİLGİLERİ KNIFE INFORMATION MESSER INFORMATIONEN	ÜRÜN GÖRSELİ PRODUCT IMAGE PRODUKTBILD	
MALZEME MATERIAL MATERIAL	Karbon Çeliği Carbon Stell Kohlenstoffstahl	
GENİŞLİK WIDTH BREITE	18mm	
KALINLIK THICKNESS DICKE	0,5mm	
UZUNLUK LENGTH LÄNGE	100 mm (0,5x18x100mm)	

# MAKET BIÇAK YEDEĞİ

CUTTER BLADE

SCHNEIDMESSER

MALZEME MATERIAL MATERIAL	Krom Kaplama Çelik	
GENİŞLİK WIDTH BREITE	18mm	
KALINLIK THICKNESS DICKE	0,5mm	
UZUNLUK LENGTH LÄNGE	100 mm (0,5x18x100mm)	

Değerler milimetre olarak verilmiştir.

Values are given in millimeters.

Werte sind in millimetern angegeben.